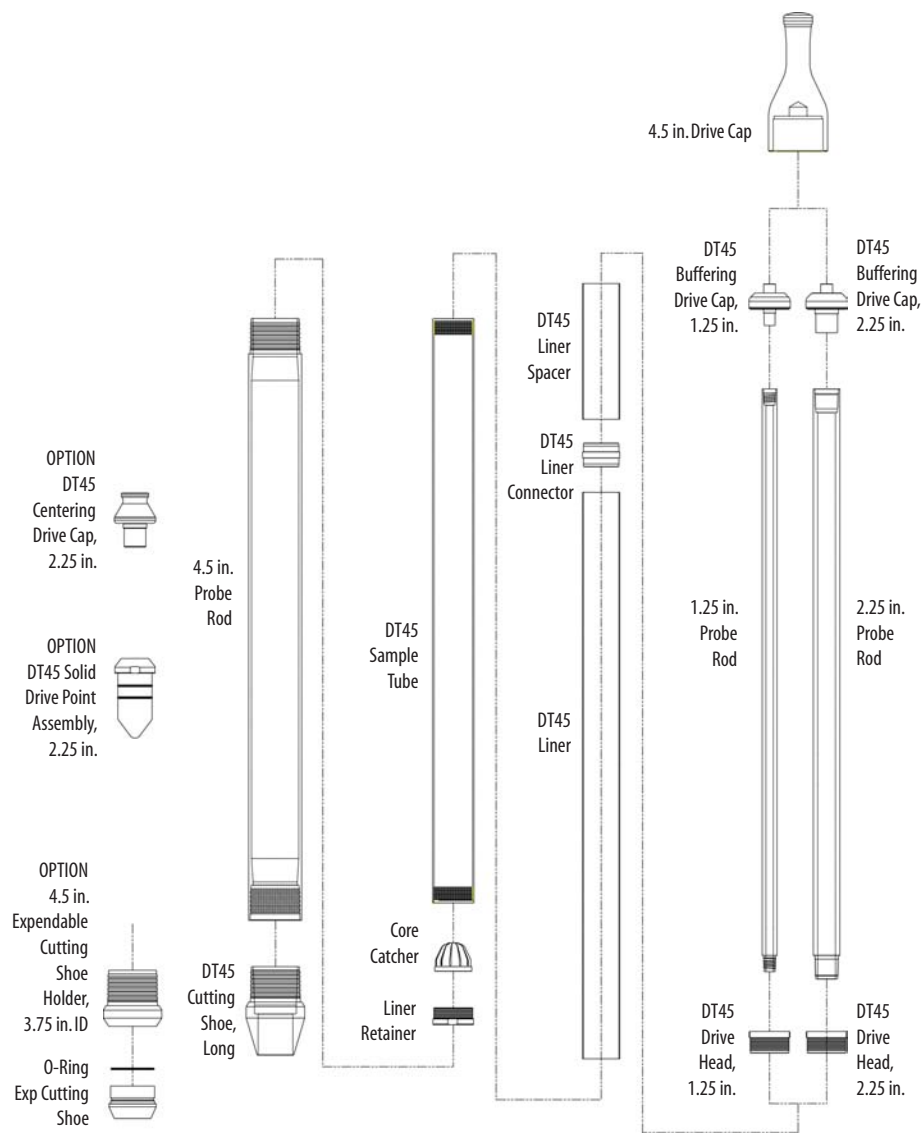


DT45 Tool Configuration

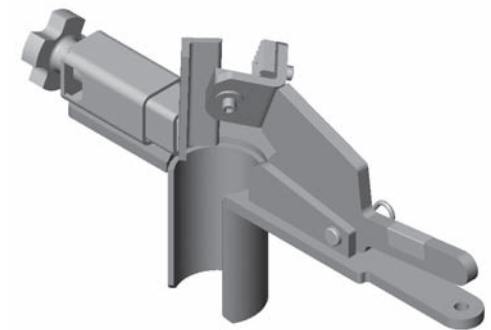


DT45 Soil Sampling System ... Parts Listing

- 26622 4.5 DRIVE CAP GH62/80 SERIES
- 28887 4.5 PROBE ROD 60 in
- 35309 4.5 FLANGE PULL ROD 24 in
- 29502 4.5 SWIVEL PULL CAP
- 36574 4.5 EXP PT HOLDER 4.5 in OD
- 36838 4.5 EXP PT STL
- 26925 4.5 SOLID DRIVE PT 5.0 in OD
- 29976 4.5 ROD WIPER DONUT
- 32694 DT45 BUFFERING DRIVE CAP 2.25 in
- 32693 DT45 BUFFERING DRIVE CAP 1.25 in
- 32381 DT45 CENTERING DRIVE CAP 2.25 in
- 32335 DT45 DRIVE HEAD 2.25 in
- 30289 DT45 DRIVE HEAD 1.25 in
- 30252 DT45 SAMPLE TUBE 72 in
- 30250 DT45 SAMPLE TUBE 60 in
- 30450 DT45 CUTTING SHOE LONG
- 32940 DT 45 EXPENDABLE CUTTING SHOE HOLDER
- 34887 DT45 EXPENDABLE CUTTING SHOE
- 32349 DT45 LINER RETAINER
- 30302 DT45 LINER RETAINER WRENCH
- 34454 DT45 CORE CATCHER
- 30527 DT45 LINER PETG 60 in (18)
- 34340 DT45 LINER CUTTER
- AT8030 CUTTER REPLACEMENT BLADES (5)
- 22734 LINER HOLDER UNIVERSAL
- 30436 DT45 LINER SPACER CONNECTOR
- 32526 DT45 LINER SPACER PETG 12 in
- 25301 2.25 STD PROBE ROD 60 in.
- 25300 2.25 STD PROBE ROD 48 in.
- 32656 2.25 STD PROBE ROD 24 in.
- AT1260 1.25 STD PROBE ROD 60 in
- AT1248 1.25 STD PROBE ROD 48 in
- AT1224 1.25 STD PROBE ROD 24 in
- 27216 ADJUSTABLE CENTER ROD CLAMP
- 31499 1.25 LEAF PULLER ASSEMBLY
- 34857 1.25 LOOP PULL CAP, PIN DOWN
- 23641 CENTER ROD PLUG 1.25 in



4.5 in. Drive Cap, 26622



Adjustable Rod Clamp, 27216



Call Geoprobe® Customer Service today if you have questions about the DT325 System.

DT45_061009



Better by Design
1-800-436-7762
www.geoprobe.com