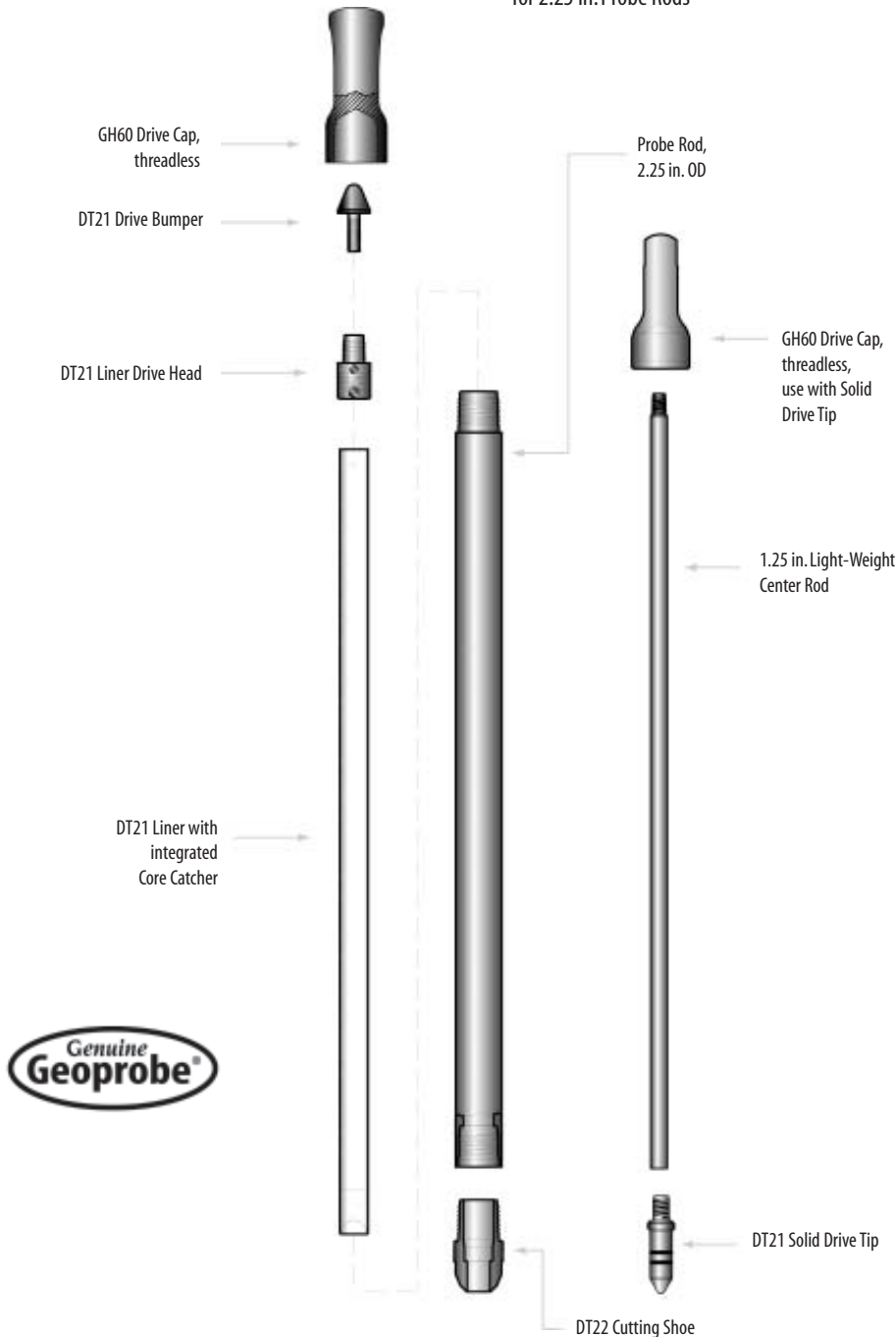


# DT22 Tool Configuration

for 2.25 in. Probe Rods



# DT22 Soil Sampling System ... Parts Listing

for 2.25 in. Probe Rods

- 31530 ... Drive Cap, GH60, threadless, 2.25 in.
- 31405 ... Drive Cap, GH40, threadless, 2.25 in.
- 22955 ... DT22 Threadless Drive Cap, use with Solid Drive Tip
- DT4010 ... DT21 Drive Bumper
- DT4052 ... DT21 Liner Drive Head Assembly
- DT4148K ... DT21 PETG Liner with Core Catcher, 48 in.
- 25341 ... DT22 Cutting Shoe, Standard
- DT4045 ... DT22 Expendable Cutting Shoe, 2.375 in. OD
- DT4045R ... O-rings for Expendable Cutting Shoe
- 29402 ... DT22 Expendable Cutting Shoe Holder
- 22956 ... DT21 Solid Drive Tip, for 1.25 in. rods
- DT4070R ... O-rings for solid Drive Tip
- DT4026K ... DT21 Vinyl End Caps
- 18170 ... DT21 Liner Grooving Tool
- 22734 ... Universal Liner Holder



DT21 Liner Grooving Tool  
18170

## Associated Tooling ...

- DT4051K ... DT21 Liner Drive Head Rebuild Kit
- 27216 ... Adjustable Rod Clamp Assembly
- 31530 ... Drive Cap, GH60, threadless, 2.25 in.
- 31405 ... Drive Cap, GH40, threadless, 2.25 in.
- 25362 ... Drive Cap, GH40, threaded, 2.25 in.
- 25298 ... Pull Cap, 2.25 in.
- 21900 ... Light-Weight Center Rod, 48 in. length, 1.25 in.
- AT1224 ... Probe Rod, 24 in. length, 1.25 in.
- AT2100R ... O-rings for Probe Rods
- 25300 ... Probe Rod, 48 in. length, 2.25 in.
- 29385 ... Rod Grip Handle, GH60 Hammer
- 29461 ... Rod Grip Handle, GH40 Hammer



Adjustable Rod Clamp  
27216

Call Geoprobe® Customer Service today if you have questions  
about the DT22 Sampling System.



Better by Design  
1-800-436-7762  
www.geoprobe.com